

MOTION SENSOR CAMERA

COMPONENTS

- > ARDUINO MEGA
- > BREAD BOARD
- > SONAR SENSOR
- > LED LIGHTS
- > CONNECTING WIRES
- > AUDIO JACK
- > LDR



WIRING

Arduino pin 2 <----> white LED

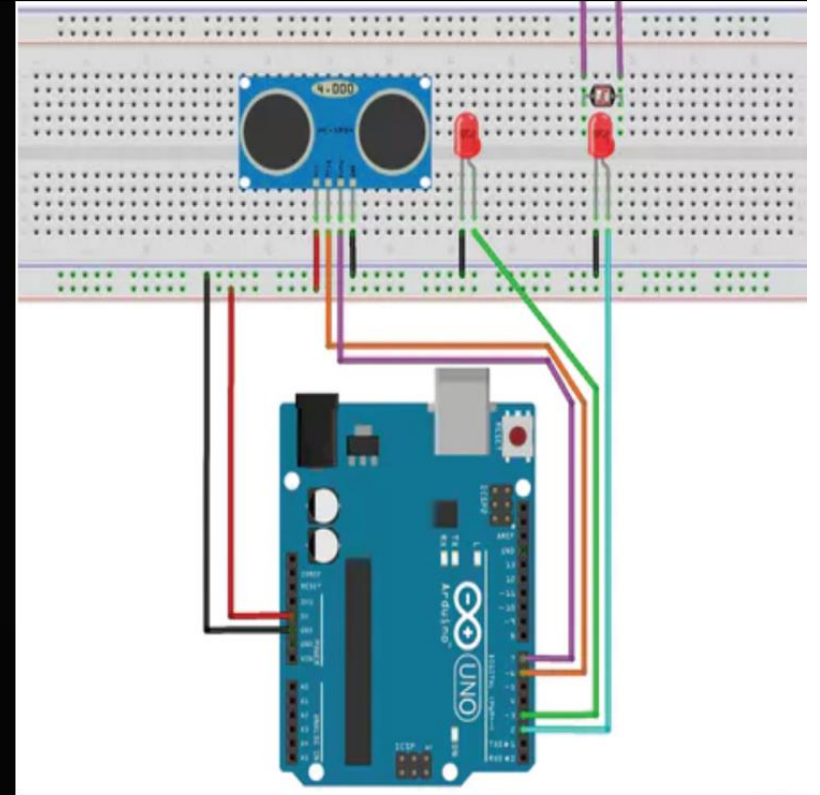
Arduino pin 6 <----> Tring (Sonar sensor)

Arduino pin 7 <----> Echo (Sonar sensor)

Give 5v to the sonar sensor.

Red wire <----> One leg of LDR

Black wire <----> Other leg of LDR




WORKING



Every earphone has a volume button which works on a smartphone as a shutter button when the camera app is opened. The earphone's volume buttons are connected with the mic and gnd within a fixed value of resistor. And LDR changes its resistance which depends on the presence of light. For this, we have connected a high bright LED in front of the LDR. When Arduino turns on the LED, the resistance of LDR decreases.

00:00:00

3..2..1..  ..1..2..3

